

TELEPHONE No.740
TABLE TELEPHONE WITH PROVISION FOR 1 TO 4
PRESS-BUTTONS FOR USE ON AUTO SYSTEMS

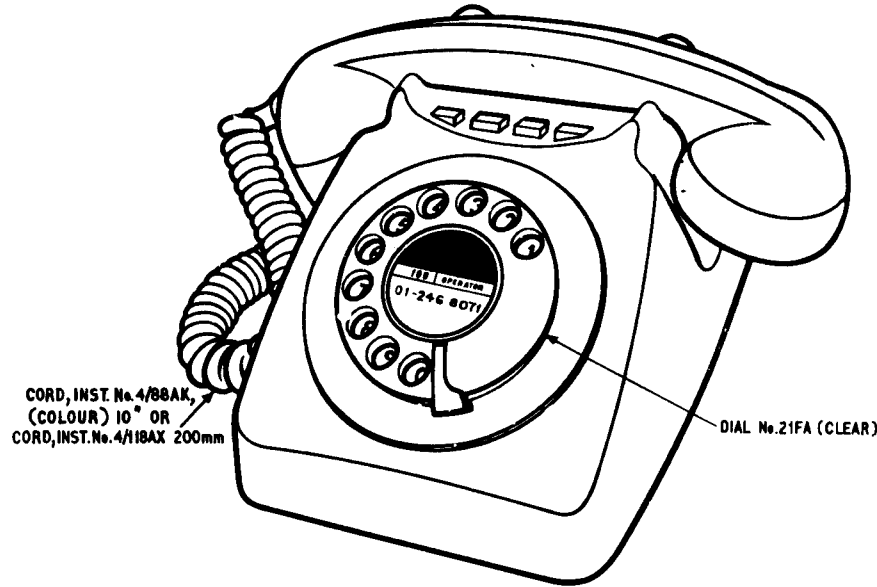
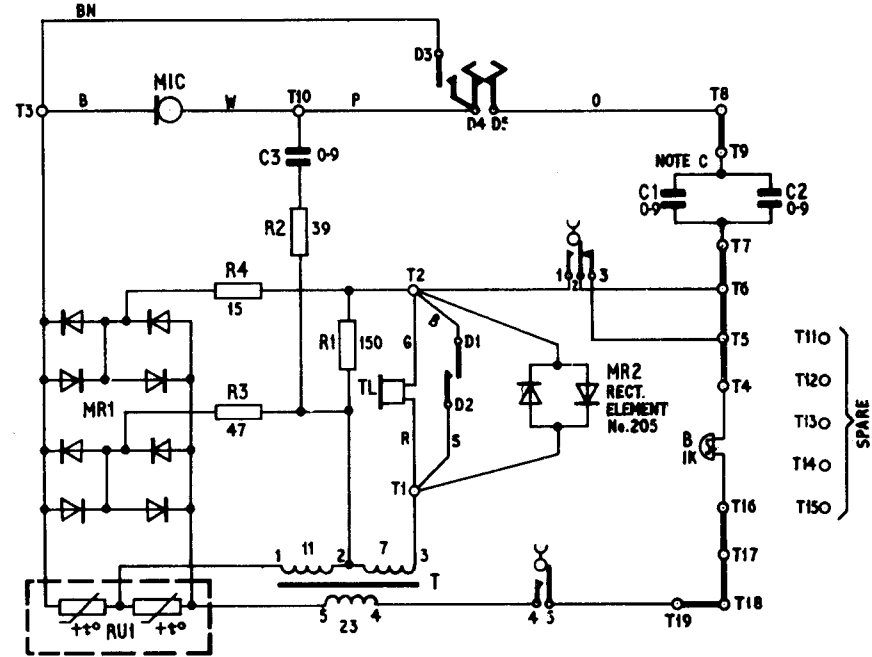


FIG.1 CIRCUIT DIAGRAM SHOWING CONNEXIONS AS ISSUED



REFERENCES

Telecommunications instructions	C3 B1020
Auxiliary units	{ Dgm. N848 Dgm. M4700
Press-buttons	Dgm. N849
Extension Plan arrangements	See appropriate Extn. Plan Dgm.

NOTES:—

- A. The leads of auxiliary units should be terminated as shown on the appropriate diagram. Any spare lead should be secured to a spare terminal. Where this is not possible, the leads should be insulated from electrical contact with parts of the telephone and from each other. Where additional terminals are required, fit:—
 1 off Part 2/DST/836. For Terminals T20—T25
 2 off Parts 2/DST/836. For Terminals T20—T31
 1 off Strip Conn. No.155A. For Terminals T20—T37
- B. With the exception of the handset, dial and bell, all components are mounted on a printed wiring board. The complete unit is available for maintenance replacement as a Telephone—Unit D92732
- C. C1 and C2 may consist of two 0.9µF capacitors as shown, or a single 1.8µF capacitor
- D. Where one or two press-buttons only are required, without latching facilities, Telephone No.746 should be used

PO TELECOMMS HQRS PAPER:— W DISTN:— GENERAL	ISSUE		
		A NEW FORMAT. MR2 ADDED. MINOR AMENDMENTS.	L.R.D. 12.10.72
		F.E.I. TROKE	TD 2.3.1 SECTION 18.2.69