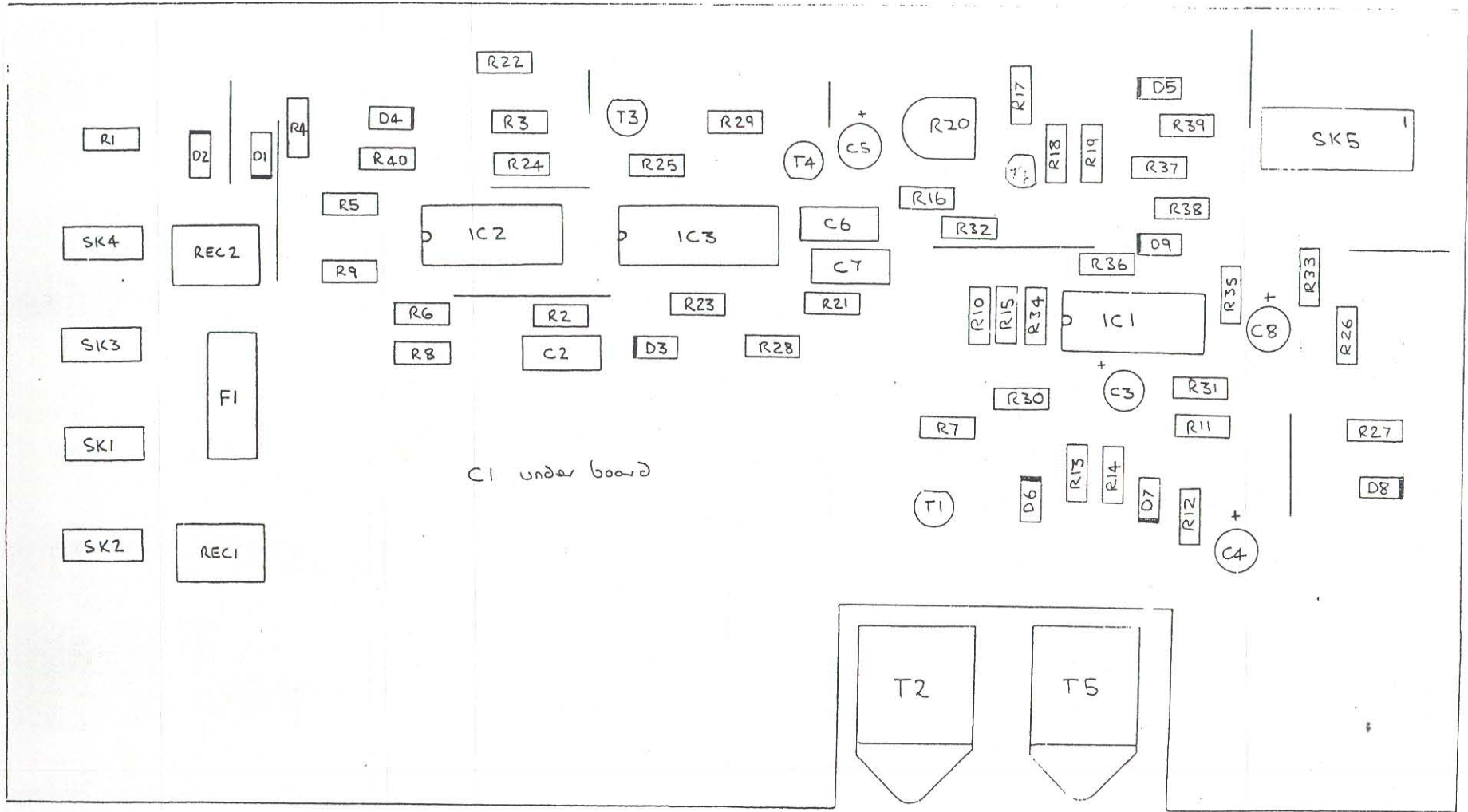


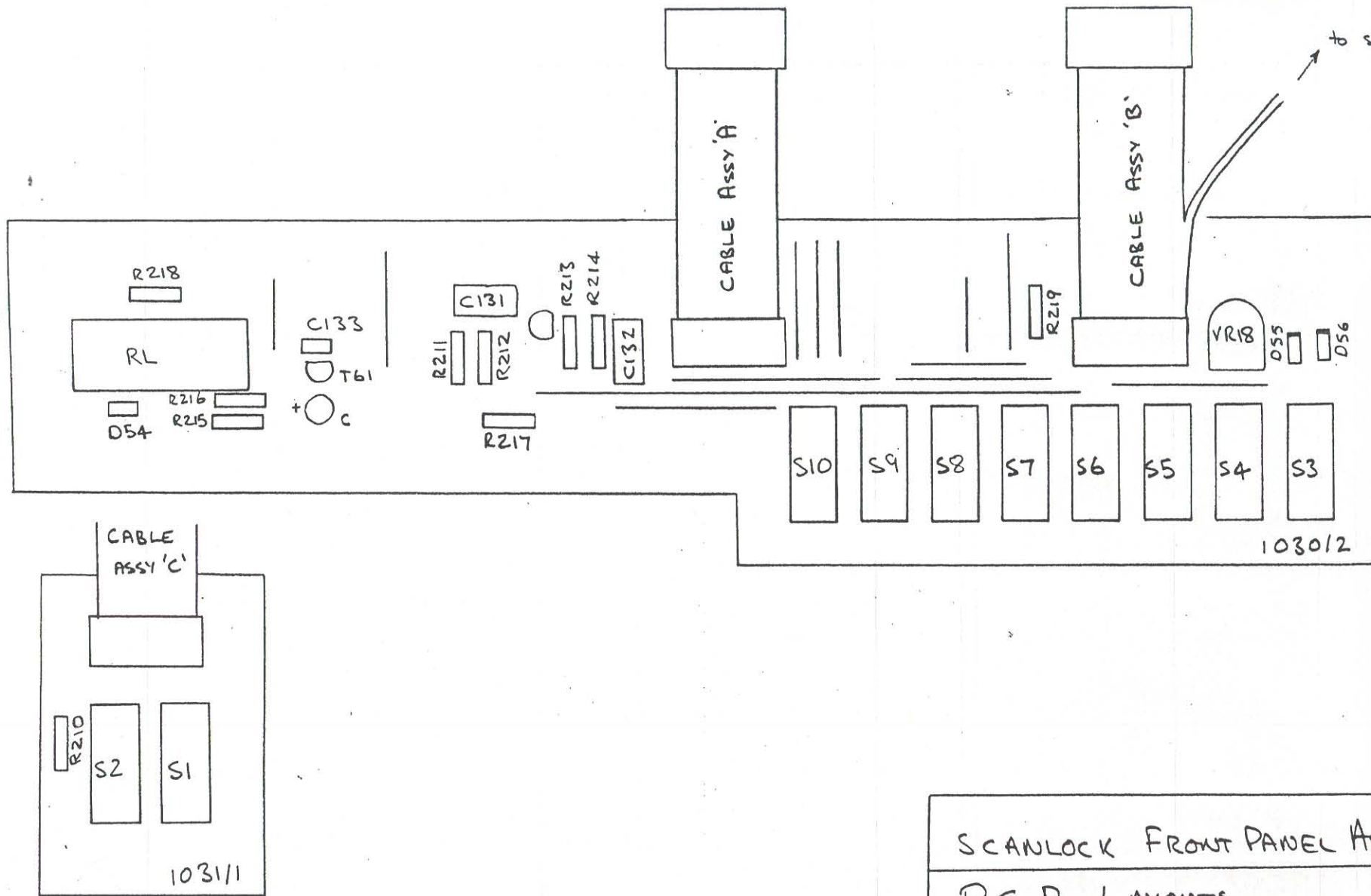
- C-1 3900
- 2 3146
- 3 40100

T 20...
 -o = SK5 (16pin DIL) pins

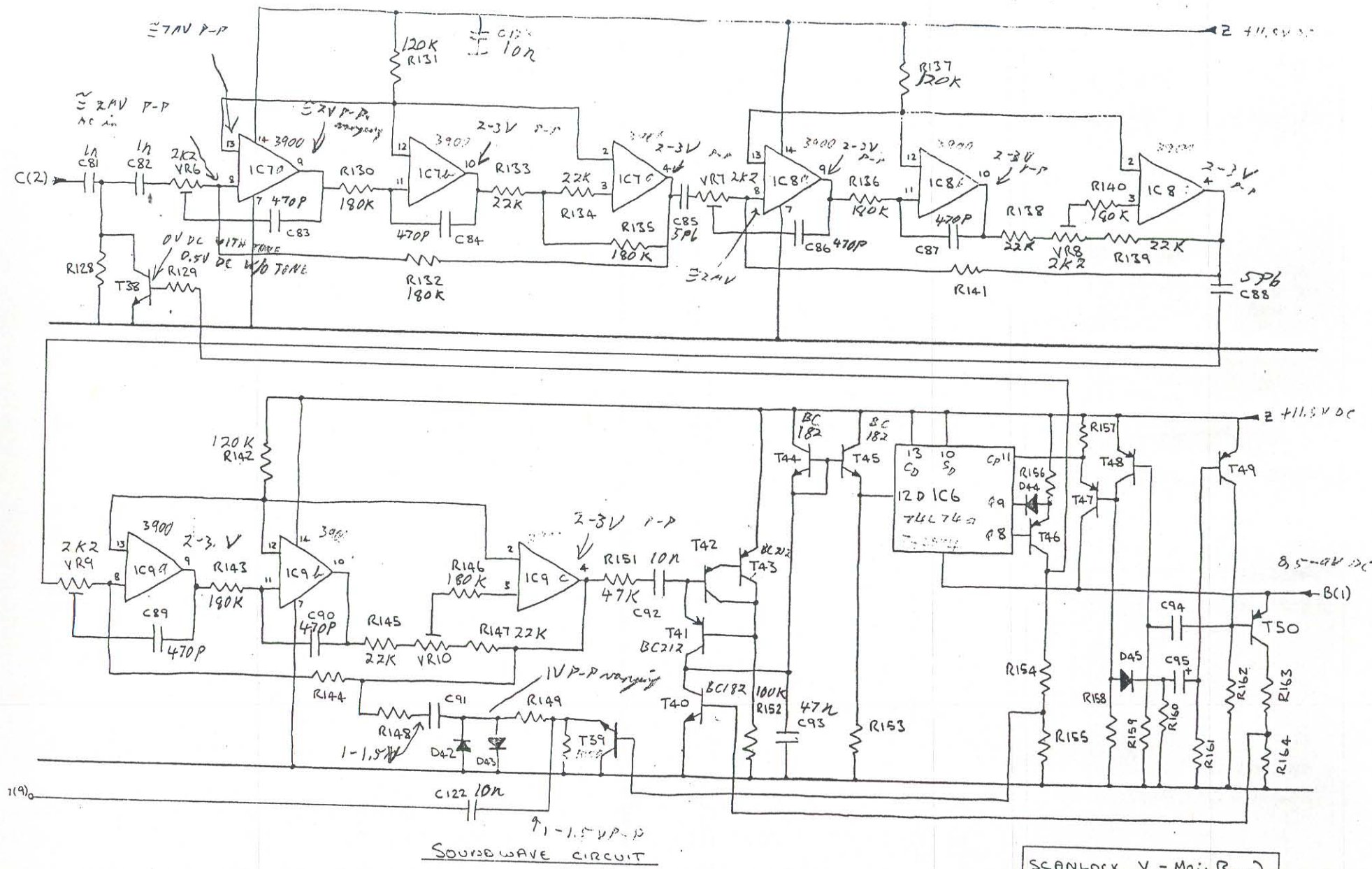
Change R30 to 910K TO 'CHARGE' LED (YELLOW)
 to give flash at 0.985 parcoll
 SCANLOCK PSU BOARD
 107510



SCANLOCK PSU 1035/2
LAYOUT DIAGRAM

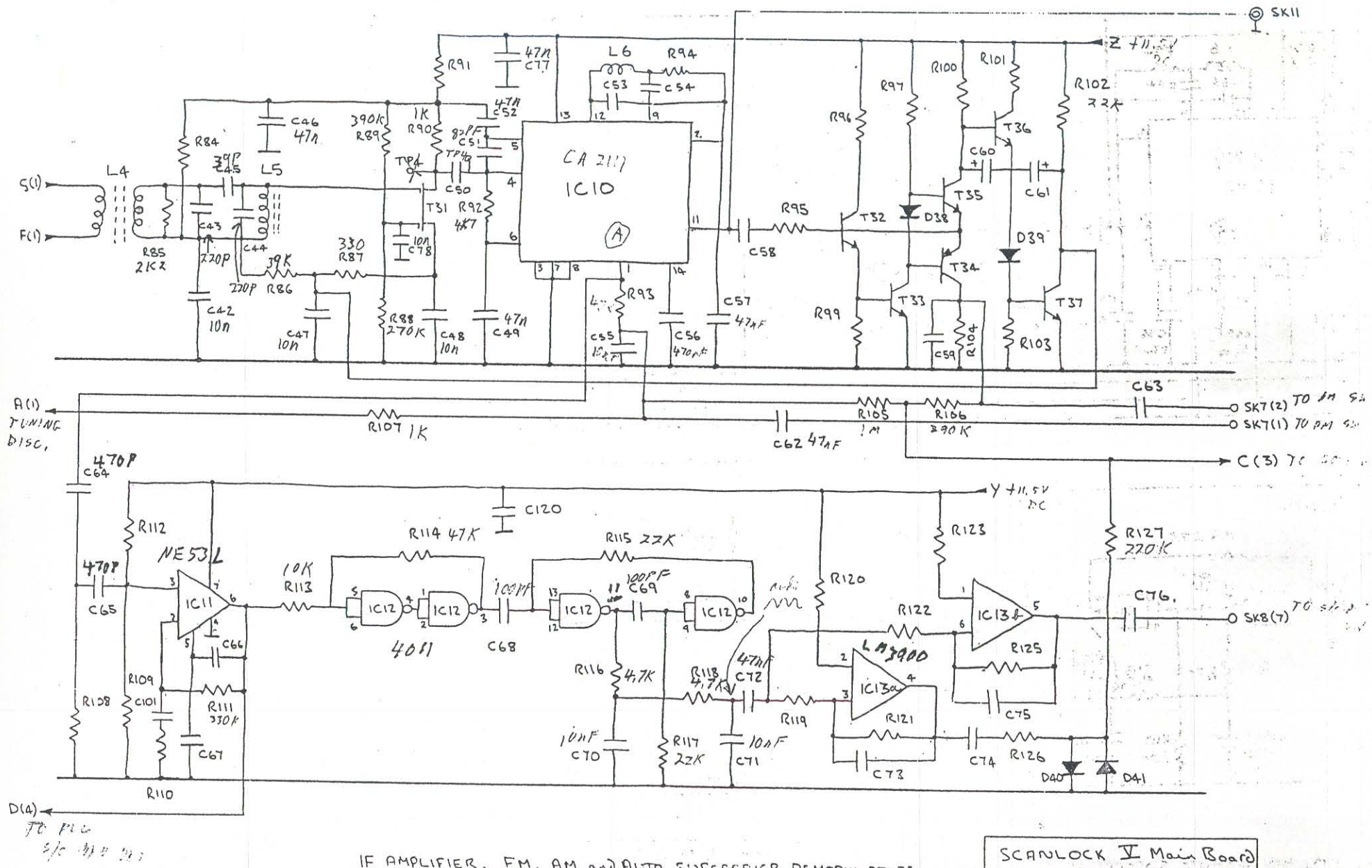


SCANLOCK FRONT PANEL AT
P.C.B. LAYOUTS



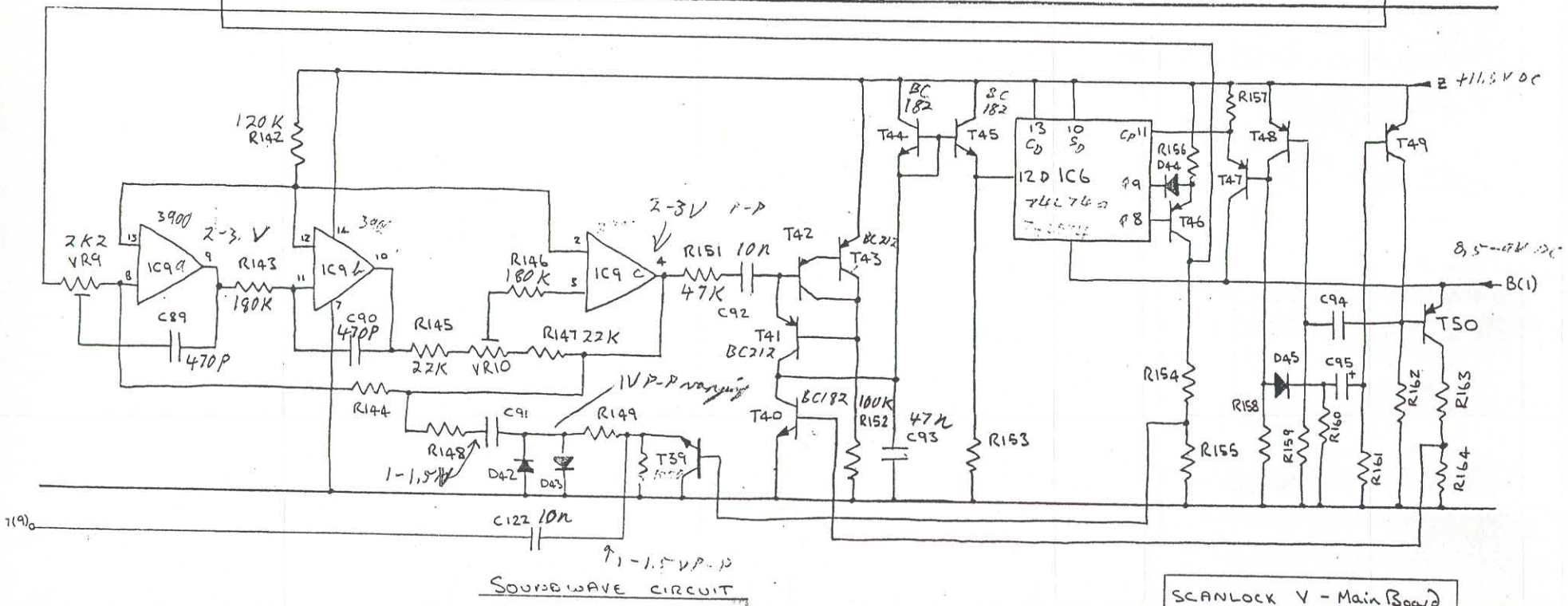
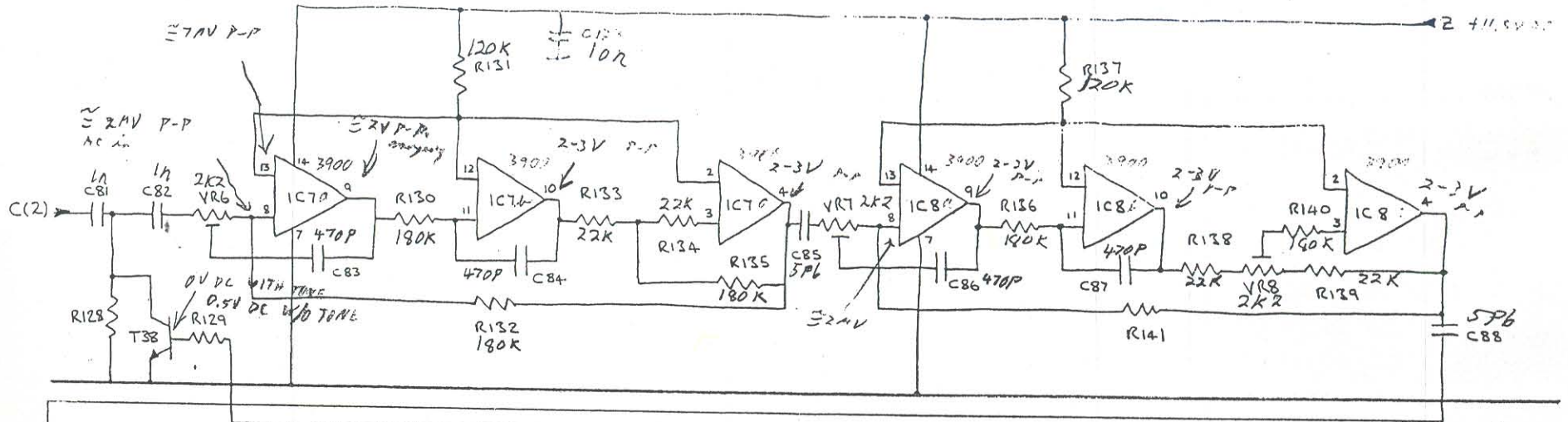
Source Wave Circuit

SCANLOCK V - Main Board
 CIRCUIT DIAGRAM Sheet 3

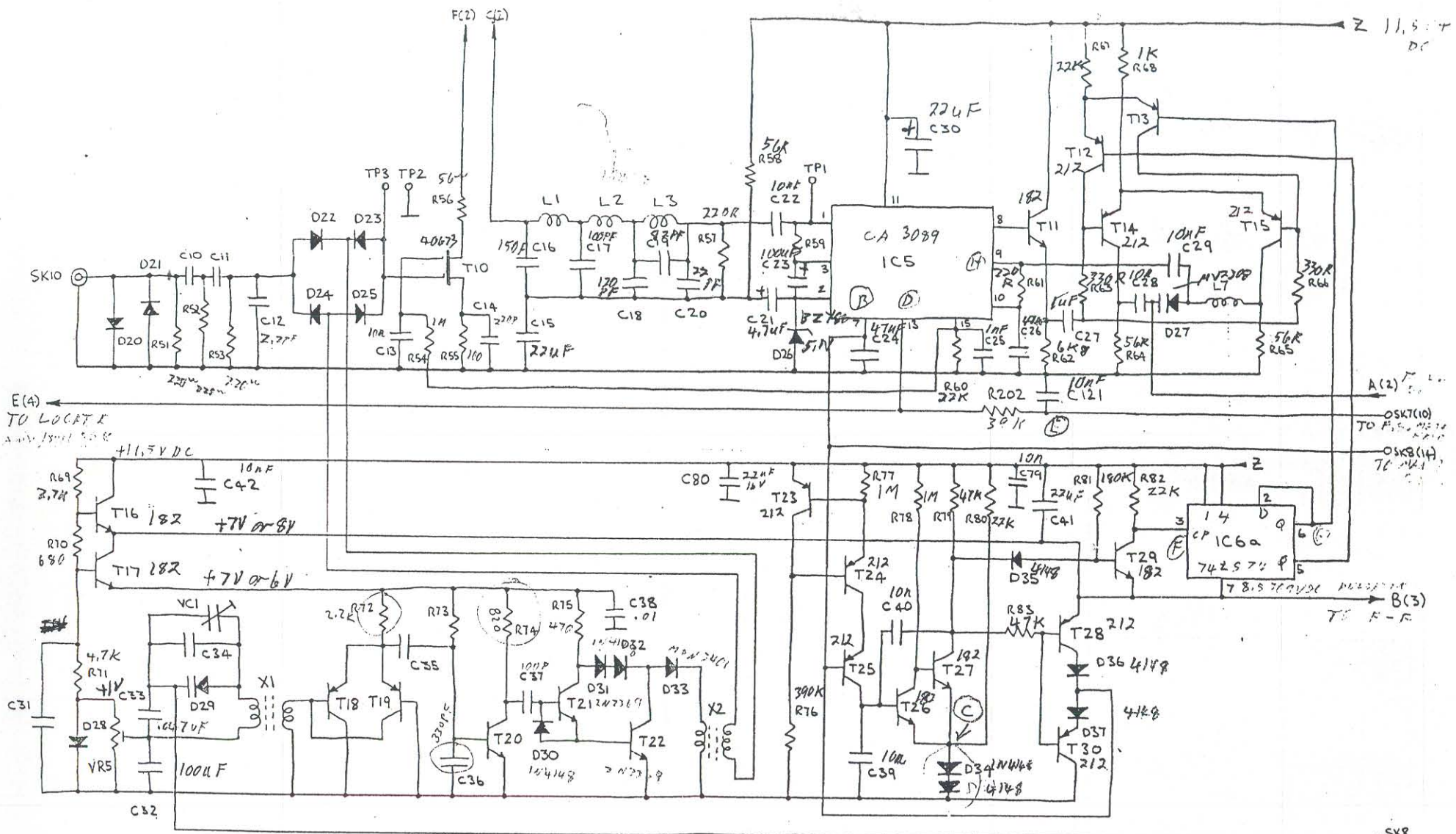


IF AMPLIFIER, FM, AM and AUTO. SUPPLIER DEMODULATORS

SCANLOCK V Main Board
CIRCUIT DIAGRAM sheet 2



SCANLOCK V - Main Board
 CIRCUIT DIAGRAM Sheet 3



207-118
 APR 2N2369 TO18 AD



BATTEN

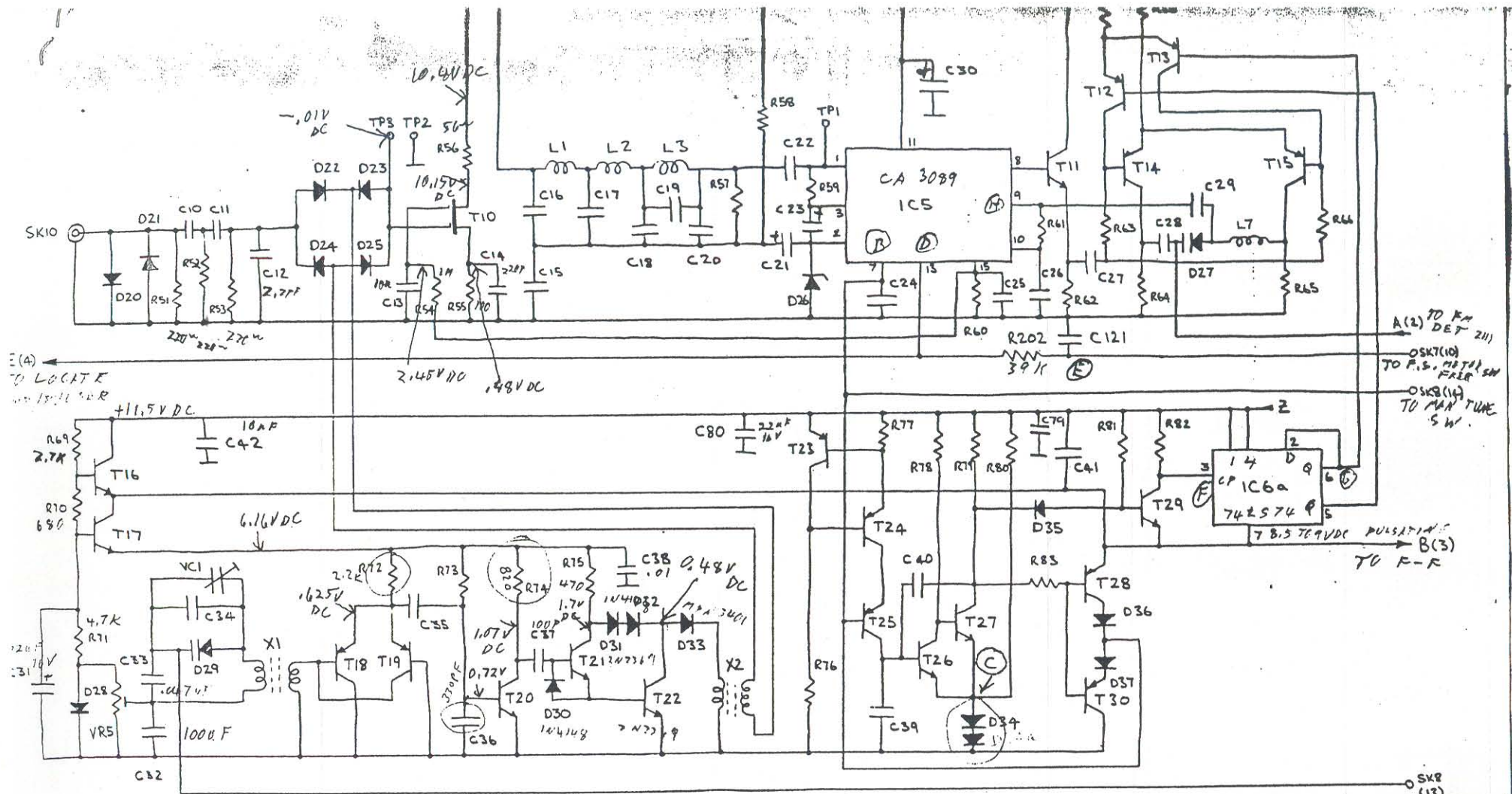
SIGNAL CONVERSION AND AUTOMATIC TUNING CCT

TECH NOTES
 27 JULY 79

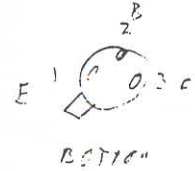
SCANLOCK V Main Board
 CIRCUIT DIAGRAM sheet 1

OSK7(10)
 TO P...
 OSK8(14)
 TO P...

OSK8
 (13)
 ...
 ...
 ...



2N7369 TO 18 AD

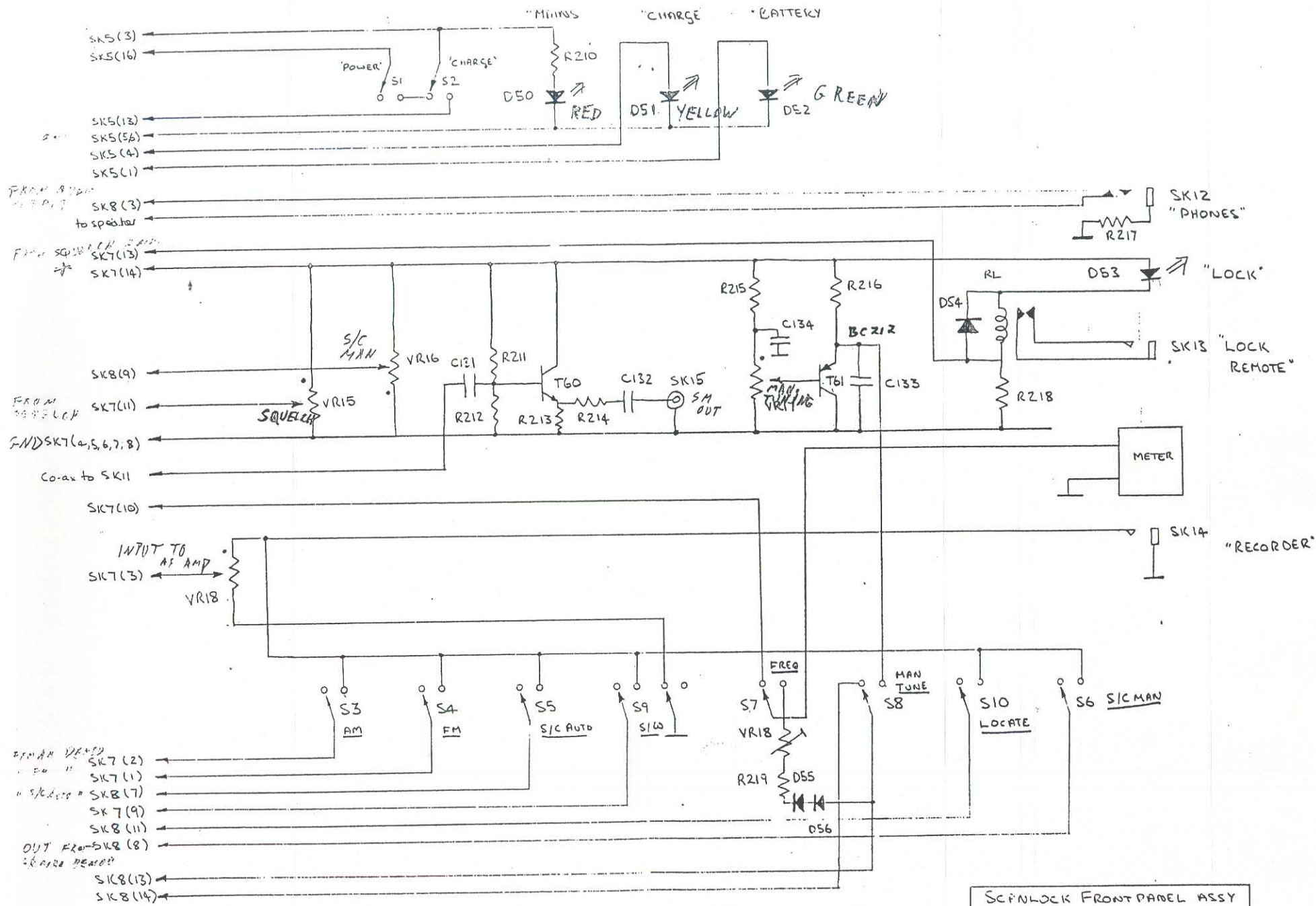


SIGNAL CONVERSION AND AUTOMATIC TUNING Ckt

TECH NOTES
27 JULY 79

SCANLOCK V Main Board
CIRCUIT DIAGRAM sheet 1

201250
Operating normally



SCANLOCK FRONT PANEL ASSY
CIRCUIT DIAGRAM

NOTE: Revised in late 1979 with
 low appropriate dip...