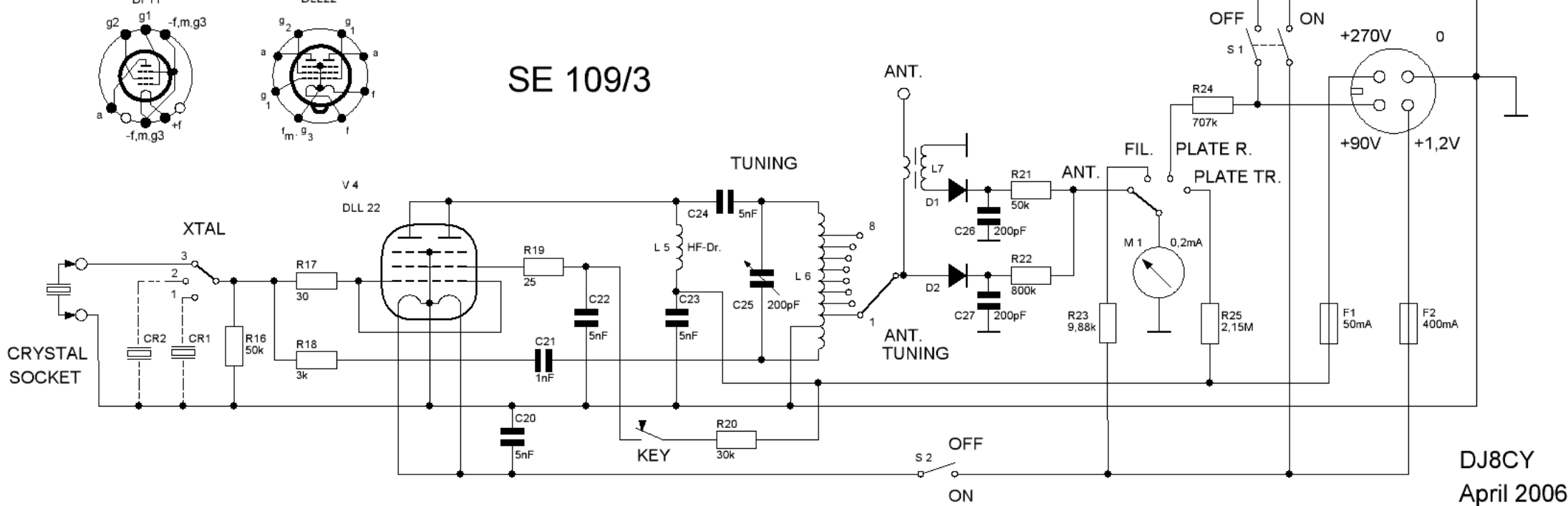


SE 109/3



DJ8CY
April 2006